



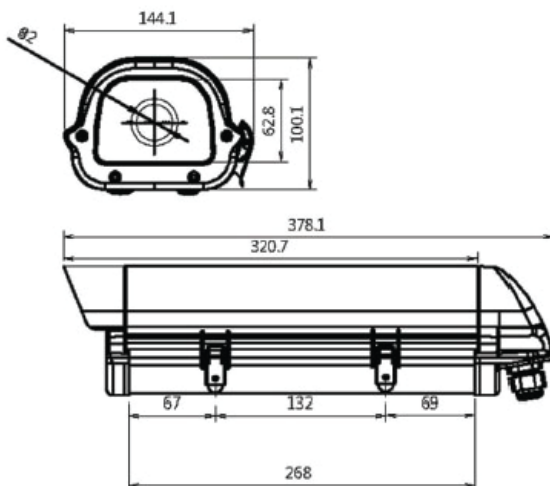
1080p / 3D-DNR / WDR / TDN  
2.1M PIXEL IR LED HOUSING CAMERA

## SDI-HU282IRV

### FEATURES

- 1/3" 2.1Megapixel Progressive Panasonic CMOS
- 1080p(1920x1080)@30fps
- Min. Illumination of 0.001Lux(Sense-up x8)
- True Day & Night
- NTSC/PAL selectable
- Defog(Visibility enhancement on the low contrast scene)
- High resolution digital zoom (x8)
- 2D & 3D Digital Noise Reduction
- Flicker Suppression
- Motion Detection, Privacy Masking (16 Zone)
- 84pcs IR LED
- DC Varifocal ICR Lens 3.6~16.0mm
- IP66 Weatherproof
- Option : RS-485 / OSD Controller

### DIMENSION



### SPECIFICATIONS

SDI-HU282IRV	
Signal Format	NTSC/PAL (Selectable)
Image Sensor	1/3" 2.1Megapixel Panasonic CMOS
Effective Pixels	1944(H) x 1092(V) = 2,122,848 (Pixel)
Scanning System	Progressive Scan
Video Output Mode	1080p(1920 x1080)@30fps
Video Output Level	HD-SDI / CVBS : 1.0Vp-p / 75 (W/O WDR)
Min. Illumination	0.5Lux(Color), 0.1Lux(B&W), 0.001Lux(Sens-up x8)
Electronic Shutter Speed	NTSC : 1/30 ~ 1/60,000sec, PAL : 1/25 ~ 1/50,000sec
Iris Control	SELECTA
S/N Ratio	More 50dB
Backlight Compensation	OFF / HLC / BLC / WDR
White Balance	AUTO / AUTOEXT / PRESET / MANUAL
Gain Control	0~20
2D + 3D DNR	OFF / LOW / MIDDLE / HIGH
Day & Night	AUTO / B.W / COLOR / EXT
Sense-up	x2 ~ x8
D-WDR	OFF / ON
Digital Zoom	x1.0~ x8.0
Flickerless	OFF / ON
Motion Detection	ON / OFF
Privacy Masking	ON / OFF (16 ZOOM)
Defog	OFF / ON
D - EFFECT	MIRROR / D-ZOOM / FLIP
Communication	RS-485 (Pelco-D & Pelco-C)
OSD	Eng / Jpn / Chi
Lens	DC Varifocal ICR Lens 3.6~16.0mm
Power Supply	DC 12V (±10%)
Power Consumption	LED Off : Max. 2.5W / LED On : Max. 13W
Operating Temperature	-10°C ~ +50°C
Operating Humidity	Less than 90%
Dimension	144.1(W) x 100.1(H) x 378.1(D)mm
Weight	Approx. 1.3kg (W/Sunshield & Bracket)

\* In accordance with customers' request and OSD controller's option, the specifications can be fixed or changed without notice.